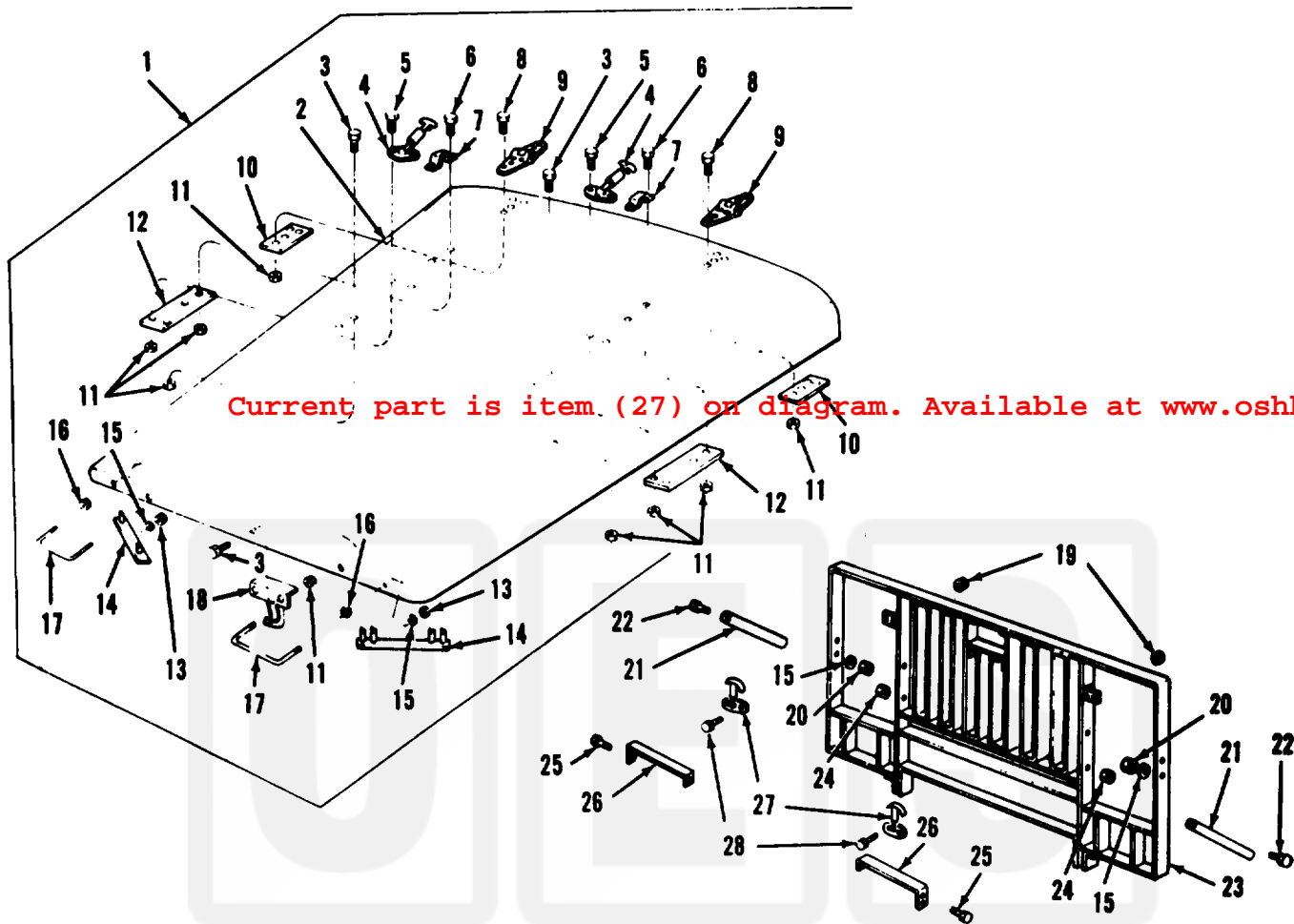


(1)	(2)	(3)	(4)	(5)	(6)	(7)	(8)	(9)	(10)
SMR Code	Federal Stock Number	DESCRIPTION	Unit	of meas	inc. allowance	allowance	allowance	alw per 100 equip	maint (a) Figure No.
Reference Number & Mfr. Code	Usable On Code		(a)	(b)	(c)	(a)	(b)	(c)	cnt- equipNo.
1801-BODY,CAB,HOOD AND HULL ASSEMBLIES-CONTINUED									
P-F	5310-880-77	NUT,PLAIN,HEXAGON:CATCH TO HOOD MS51968-5 (96906)	A	EA	4	*	*	*	6 10 129 13
P-F	5340-321-63	BUMPER,RUBBER:HOOD TOP PANEL 50513-1017Y2	A	EA	2	*	*	*	8 10 129 14
P-F	5310-809-59	WASHER,FLAT:CATCH TO HOOD MS27183-18 (96906)	A	EA	6	*	*	*	6 10 129 15
P-F		NUT,PLAIN,HEXAGON: CATCH TO HOOD MS51967-525	A	EA	4	*	*	*	6 10 129 16
P-F	2540-177-83	CATCH HOOD LATCH: 10864803 (19207)	A	EA	2	*	*	*	6 10 129 17
P-F	2510-737-27	CATCH,SAFETY HOOD: 7372770 (19207)	A	EA	1	*	*	*	6 10 129 18
P-F	5310-959-76	NUT,SELF-LOCKING MS51922-5 (96906)	A	EA	2	*	*	*	6 10 129 19
P-F	5310-950-00	NUT,SELF-LOCKING,HEXAGON HEAD:GRILL MS21044N6 (96906)	A	EA	2	*	*	*	6 10 129 20
P-F	2540-753-96	BRACE:BRUSH GUARD 7539669 (19207)	A	EA	2	*	*	*	6 10 129 21
P-F	5305-725-41	SCREW,CAP,HEXAGON HEAD:BRUSH GUARD BRACE MS90726-113 (96906)	A	EA	4	*	*	*	6 10 129 22
P-F	2510-832-70	GUARD ASSEMBLY,BRUSH: 8327016 (19207)	A	EA	1	*	*	*	6 10 129 23
P-F	5310-877-57	NUT,SELF-LOCKING,HEXAGON HEAD: BRUSH GUARD MS21044N8 (96906)	A	EA	2	*	*	*	6 10 129 24
P-F	5305-269-28	SCREW,CAP,HEXAGON HEAD:GUARD MS90726-60 (96906)	A	EA	2	*	*	*	6 10 129 25
P-F	2510-040-22	GUARD: 98785R1 (31007)	A	EA	2	*	*	*	6 10 129 26
P-F	2590-040-20	FASTENER,CYLINDER SPRING:TOP PANEL 7740774 (19207)	A	EA	2	*	*	*	8 10 129 27
P-F	5305-068-05	SCREW,CAP,HEXAGON HEAD:SPRING FASTENER MS90726-5 (96906)	A	EA	4	*	*	*	8 10 129 28
P-F	2510-737-32	DOOR:RIGHT 7373294 (96906)	A	EA	1	*	*	*	4 10 130 1
P-F	2510-737-32	DOOR:LEFT 7373293 (19207)	A	EA	1	*	*	*	4 10 130 1
X1		SCREW,MACHINE:ACCESS COVER 164354 (21450)	A		10				130 2



AT 47270

Figure 129. Hood assembly and related parts.